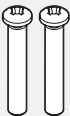
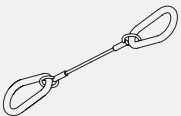
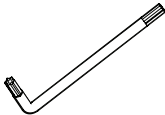




Tilting adapter for multi-sensor camera with vari-focal lens modules and
DWC-PZPARAM

DWC-PV20ADPW



WHAT'S IN THE BOX

Tilt Mounting Screws		2	Safety Wire		1
Star Wrench		1	Quick Setup Guide		1
Hexagonal Wrench		1			

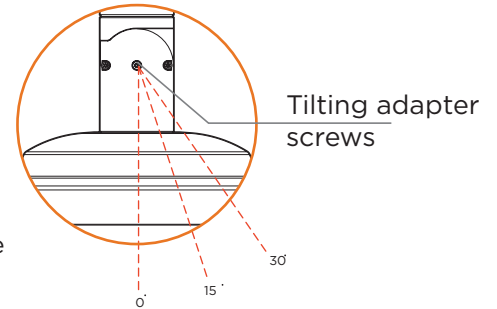
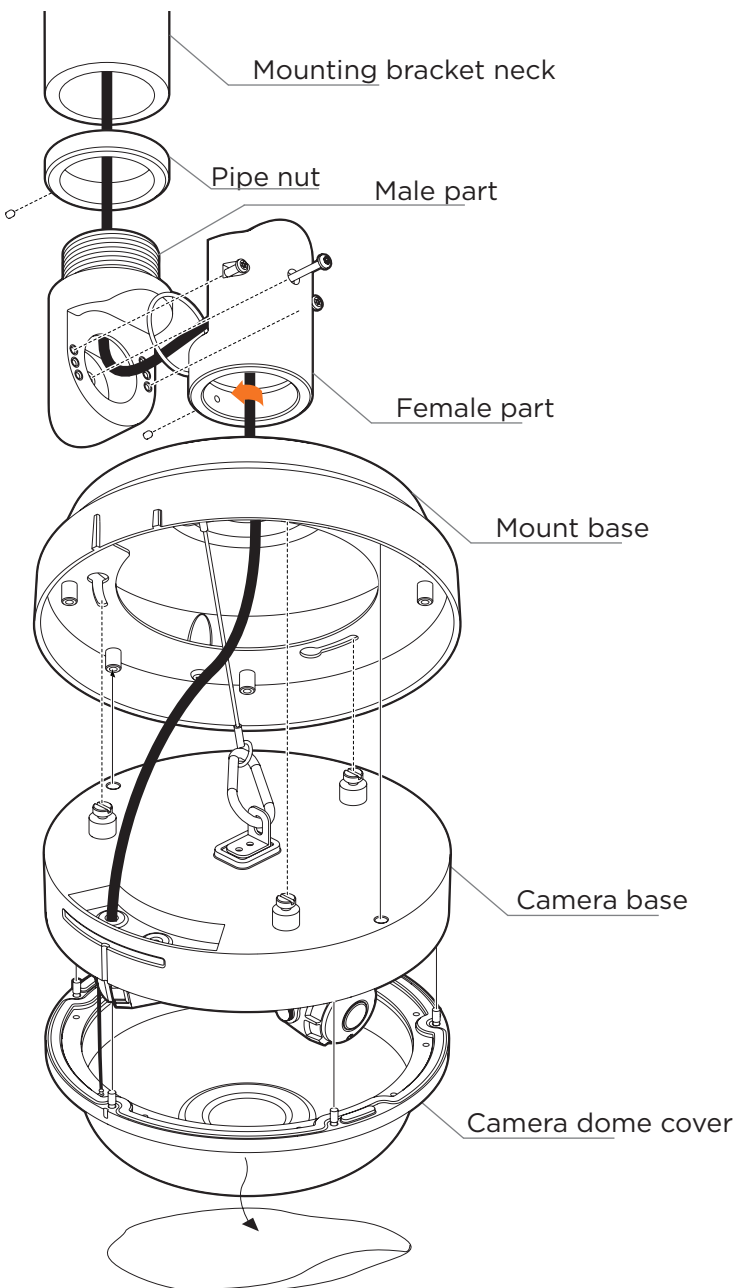
NOTE: Download all your support materials and tools in one place.

1. Go to: <http://www.digital-watchdog.com/resources>
2. Search your product by entering the part number in the **'Search by Product'** search bar. Results for applicable part numbers will populate automatically based on the part number you enter.
3. Click **'Search'**. All supported materials, including manuals and quick start guide (QSGs) will appear in the results.



INSTALLATION

- 1 Before the installation, disassemble the tilting adapter by unscrewing the screw in the center of the female side and separating the male and female parts and the O-ring in the center.
- 2 Connect the male part of the tilting adapter to the parapet mount bracket by rotating it clockwise until tightly secured. Secure the connection by tightening the pipe nut using the hexagonal wrench included with the adapter.
- 3 Pass wires through the parapet mount, the male part of the tilting adapter, the O-ring in the center of the tilting adapter and the female part of the tilting adapter.
- 4 Adjust the tilt angle from the three available options. Lock the bracket into the desired angle using the star T-20 wrench included with the tilting adapter.



- 5 Connect the mounting accessory's base into the tilting adapter, and secure using the screws on the side of the adapter. Use the hexagonal wrench to secure the screws in place.
 - 6 Affix the safety wire at the bottom of the mounting bracket's base. Connect the other side of the safety wire to the base of the camera.
 - 7 Pass the wires through the rest of the accessory and make all necessary connections in the camera.
 - 8 To mount the camera to the mounting accessory, remove the dome from the camera base using the wrench included with the camera.
- NOTE:** Do not touch the lenses when handling the camera modules.
- 9 Secure the camera to the mounting bracket using the included screws. Align the indented lines on the side of the camera with the lines on the mounting bracket as seen in the image below. Rotate the camera clockwise to lock it into position.



- 10 Adjust the camera modules' position and angle and complete the installation by placing the dome cover on the camera. Secure the dome cover to the camera base using the screws included with the camera. See the camera's QSG for more information.